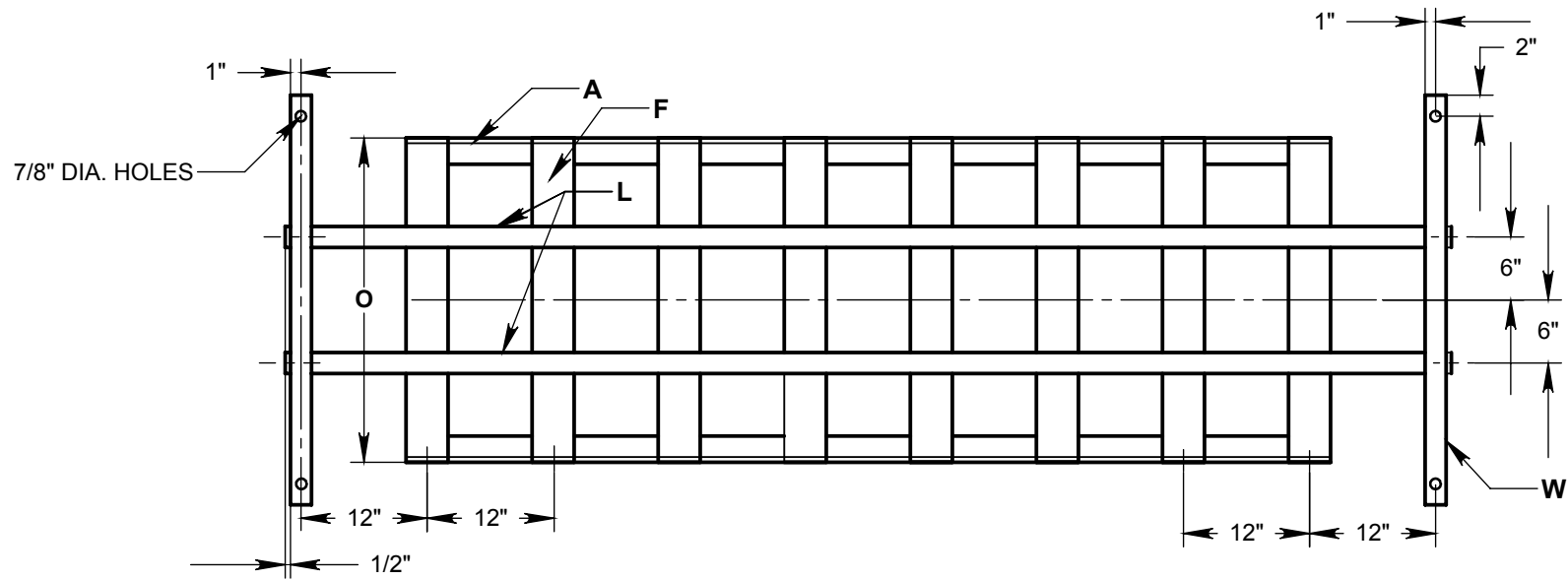


PROPRIETARY AND CONFIDENTIAL  
 THE INFORMATION CONTAINED IN THIS  
 DRAWING IS THE SOLE PROPERTY OF  
 ENVIRONMENTAL COMPOSITES, INC. ANY  
 REPRODUCTION IN PART OR AS A WHOLE  
 WITHOUT THE WRITTEN PERMISSION OF  
 ENVIRONMENTAL COMPOSITES, INC. IS  
 PROHIBITED.

# "U" GRATE - FL DOT INDEX 261

## 1:6 Slope



Pipe Size	L 2" x 1/2" Flat Bar Qty 2	W 2" x 1/2" Flat Bar Qty 2	F C4 X 5.4 Channel Qty	F C4 X 5.4 Channel Length	O Outside Dimension	A 2-1/2" x 2" x 1/4" Angle Qty 2	Total Weight (lbs.)
15"	9'-3"	39"	8	30-7/8"	32"	7'-4"	249
18"	10'-3"	42"	9	33-7/8"	35"	8'-4"	292
24"	13'-3"	48"	12	39-7/8"	41"	11'-4"	414
30"	16'-3"	54"	15	45-7/8"	47"	14'-4"	555

**NOT TO SCALE**

**TOLERANCE + / - 1/8"**