

A

B

C

D

E

F

G

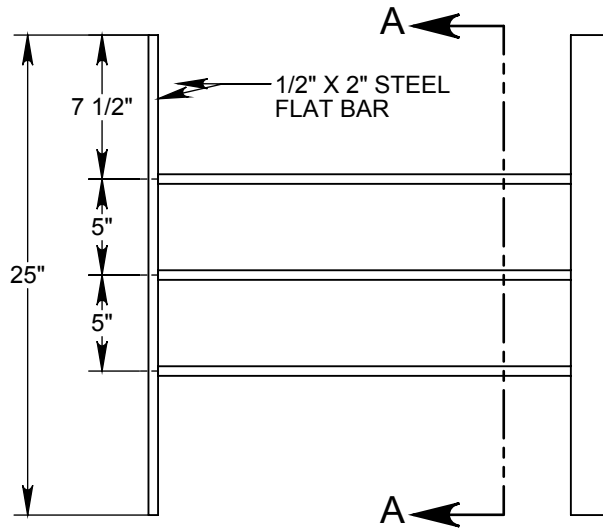
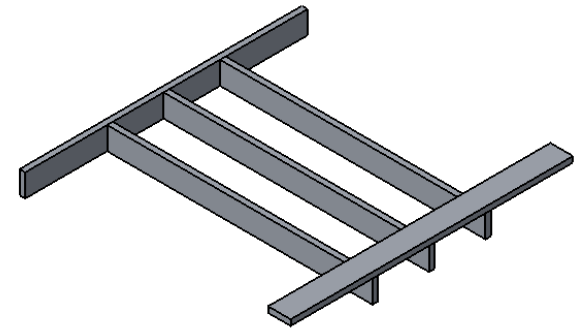
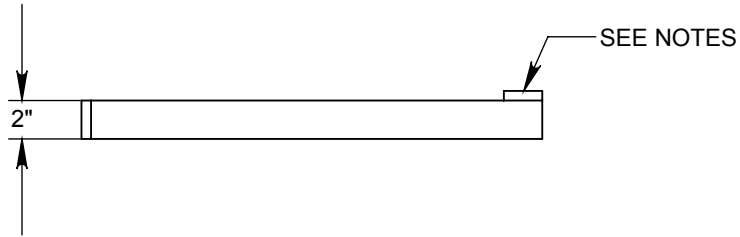
H

I

J

PROPRIETARY AND CONFIDENTIAL
 THE INFORMATION CONTAINED IN THIS
 DRAWING IS THE SOLE PROPERTY OF
 ENVIRONMENTAL COMPOSITES, INC.. ANY
 REPRODUCTION IN PART OR AS A WHOLE
 WITHOUT THE WRITTEN PERMISSION OF
 ENVIRONMENTAL COMPOSITES, INC. IS
 PROHIBITED.

FL DOT INDEX 260 U ENDWALL GRATE SAMPLE DRAWING



SECTION A-A
 SCALE 1 : 10

NOTES:

MULTIPLE GRATES REQUIRED; 1 ONLY WITH ADDITIONAL BAR
 WELDED TO TOP OF UNIT

GRADE 50 STEEL

HOT DIP GALVANIZED AFTER FABRICATION

10