

A

B

C

D

E

F

G

H

I

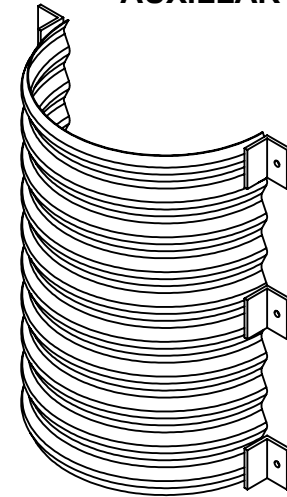
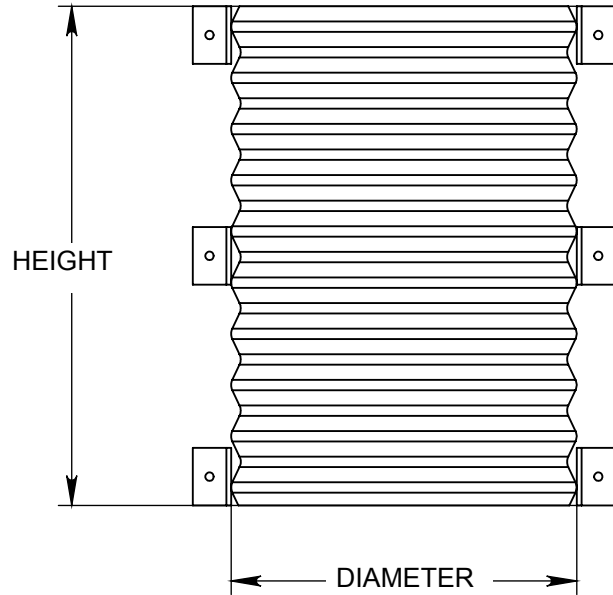
J

PROPRIETARY AND CONFIDENTIAL
 THE INFORMATION CONTAINED IN THIS
 DRAWING IS THE SOLE PROPERTY OF
 ENVIRONMENTAL COMPOSITES, INC.. ANY
 REPRODUCTION IN PART OR AS A WHOLE
 WITHOUT THE WRITTEN PERMISSION OF
 ENVIRONMENTAL COMPOSITES, INC. IS
 PROHIBITED.

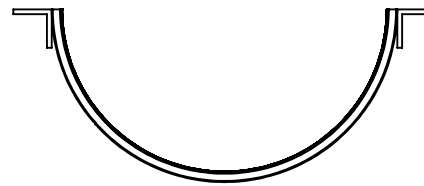
ENVIRO CORRUGATED ALUMINUM 1/2 ROUND

AUXILLARY VIEW

FRONT VIEW

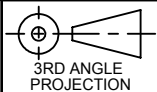


TOP VIEW



SCALE: NTS

DIMENSIONS
 ARE IN INCHES.
 TOLERANCE
 ±N/A
 UNLESS
 OTHERWISE
 SPECIFIED



3RD ANGLE
 PROJECTION